




# 50760-R20

## Regenerative Blower Assembly

for WindJet®  
Air Knife Packages

### Specifications

CE and  approved TEFC motor with permanently sealed ball bearings

Aluminum impeller, cover and housing

6" outlet connection

Motor enclosure: TEFC

HP/kW: 50 Hz – 16.67/12.4  
60 Hz – 20/14.9

Voltage: 50 Hz – 230/400-3  
60 Hz – 208-230/460-3

Amps: 50 Hz – 51.6/29.8  
60 Hz – 51.6/29.8

Starting Amps: 50 Hz – 185@460V  
60 Hz – 185@400V

Insulation Class: F

Recommended NEMA starter size: 3/2

Net Weight (lbs/kg): 324.1/147

### Benefits

- Rugged construction
- Low maintenance direct-drive and oilless operation
- Produces clean, heated air
- Energy-efficient air source
- Inlet and outlet have internal muffling for low operating noise, no sound enclosure needed
- Easy to install

### Standard Features

- Pressure gauge
- Paper inlet filter element – 2 micron
- Filter monitoring gauge
- Pressure relief valve
- Outlet monitoring adapter
- Fittings

### Typical Applications



Food & Beverage



Automotive



Metal Production

Wire & Cable

Textiles

Construction  
Materials

Tire & Rubber

High Tech

Metal Finishing

Medical Devices

# 50760-R20 Regenerative Blower Assembly

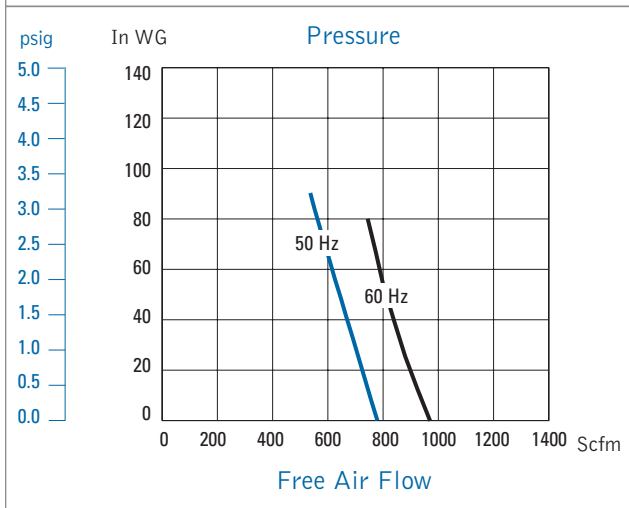


## Blower Performance

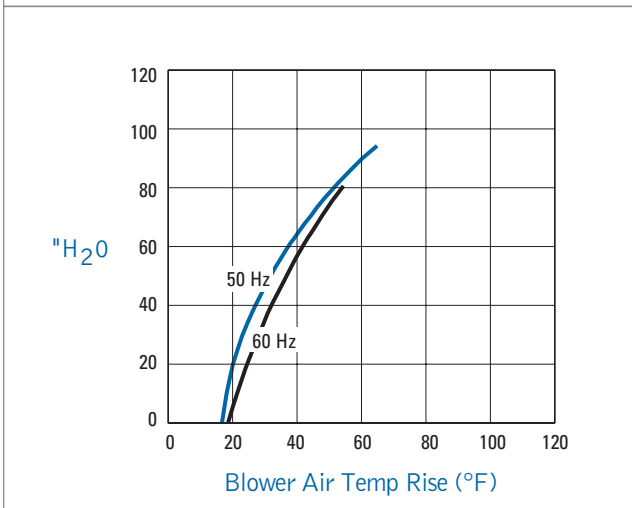
Model Series	Power Rating				Maximum Free Air Flow		Maximum Pressure	
	hp		kW		cfm (m <sup>3</sup> /h)		"H <sub>2</sub> O (m bar)	
R20	60Hz 20	50Hz 16.67	60Hz 14.9	50Hz 12.4	60Hz 941 (1599)	50Hz 780 (1325)	60Hz 80 (200)	50Hz 90 (225)

To convert "H<sub>2</sub>O to psi, multiply "H<sub>2</sub>O x 0.03613

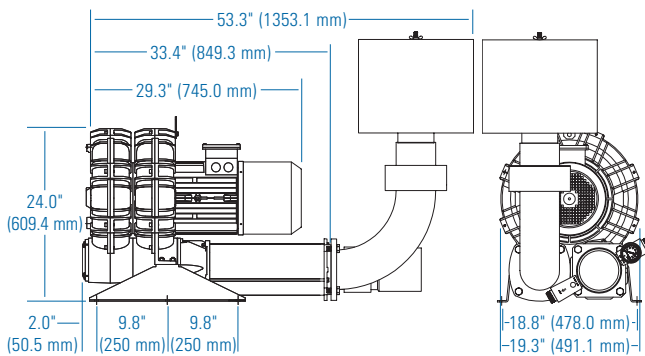
## Blower Operating Pressure



## Blower Air Temperature Increase



## Dimensions



## Ordering Information

### Complete Assembly

**50760** — **R20**  
 |  
 Part No.                      Blower Size

### Air Inlet Filter Replacement

**50761** — **5FE**  
 |  
 Part No.                      Filter Size



**Spraying Systems Co.**  
 Experts in Spray Technology



Spray  
Nozzles



Spray  
Control



Spray  
Analysis



Spray  
Fabrication

P.O. Box 7900, Wheaton, IL 60189-7900 USA

Tel: 1.800.95.SPRAY    Intl. Tel: 1.630.665.5000  
 Fax: 1.888.95.SPRAY    Intl. Fax: 1.630.260.0842

www.spraying.com

